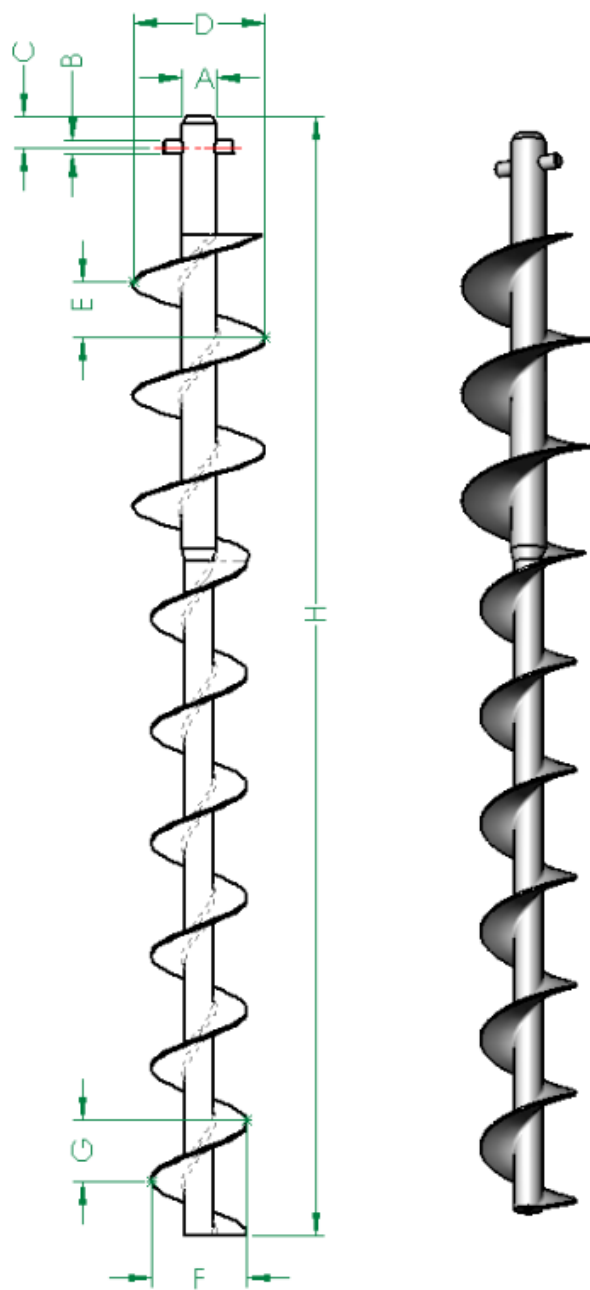


# SELF-FEEDING AUGERS

*Self-Feeding Augers are used for non-free flowing powders such as bakery mixes, carbon, talcum powder, etc. They are commonly used with a slow speed agitator blade or high speed agitator blade and a lip funnel. Use this page to specify new and replacement Self-Feeding Augers used with AMS, All-Fill, Mateer-Burt, Bartelt, Spee-Dee and Image filling machines.*

## Dimensions & Specifications

A	Stem Diameter:	_____
B	Pin Diameter:	_____
C	Pin Location:	_____
D	Overflight Diameter:	_____
E	Overflight Pitch:	_____
F	Flight Diameter:	_____
G	Flight Pitch:	_____
H	Overall Length:	_____



THE SPECIALIST IN FILLING APPLICATIONS FOR OVER 30 YEARS

2500 Chestnut Tree Road, Honey Brook, PA 19344  
(610) 942-4200 • FAX: (610) 942-7123 • TOLL-FREE: (800) 647-5390  
sales@amsfilling.com • www.amsfilling.com

