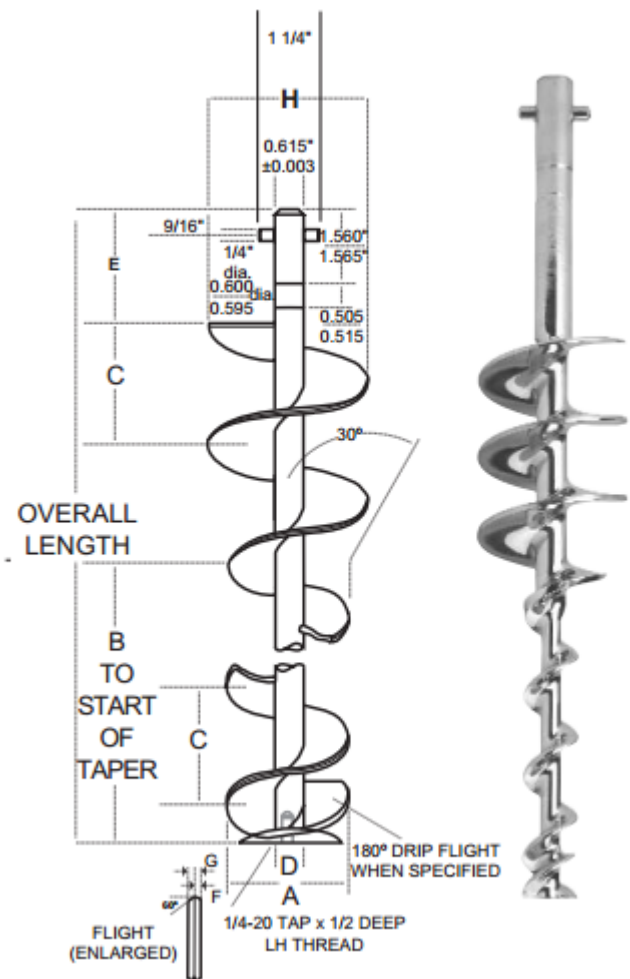


ALL-FILL SELF-FEEDING AUGERS

These augers are specifically offered as replacements or spares with auger fillers manufactured by All-Fill. The most common dimensions and specifications are listed below. Unless otherwise specified, all augers are stainless steel, welded and polished to a mirror finish.

Standard Sizes and Dimensions

Auger Size	Dimension								Print Number	
	A	B	C	D	E	F	G	H	13 1/8 OAL	20 1/8 OAL
6	0.350	10.937	1	3/16	4 3/8	1/32	3/32	1 1/2	C-3280	C-3281
8	0.470	11.065	1	7/32	4 3/8	1/32	3/32	1 1/2	C-3280	C-3281
10	0.595	11.167	1	1/4	4 3/8	1/32	3/32	1 1/2	C-3280	C-3281
12	0.720	11.250	1	1/4	4 3/8	1/32	3/32	1 1/2	C-3280	C-3281
14	0.845	11.437	1 1/4	5/16	4 3/8	1/32	3/32	2 3/8	C-3280	C-3281
16	0.970	11.562	1 1/4	5/16	4 3/8	1/32	3/32	2 3/8	C-3280	C-3281
18	1.095	11.687	1 1/2	5/16	4 3/8	1/32	3/32	2 3/8	C-3280	C-3281
20	1.220	11.832	1 1/2	5/16	4 3/8	1/32	3/32	2 3/8	C-3280	C-3281
22	1.345	11.937	1 1/2	3/8	4 3/8	1/32	3/32	2 3/8	C-3280	C-3281
24	1.470	12.062	2	3/8	4 3/8	1/16	1/8	2 3/8	C-3280	C-3281
26	1.595	12.187	2	3/8	4 3/8	1/16	1/8	2 3/8	C-3280	C-3281
28	1.720	12.312	2	1/2	4 3/8	1/16	1/8	2 5/8	C-3280	C-3281
30	1.845	12.457	2	1/2	4 3/8	1/16	1/8	2 5/8	C-3280	C-3281
32	1.970	12.562	2	1/2	4 3/8	1/16	1/8	2 5/8	C-3280	C-3281
34	2.115	12.620	2 1/2	5/8	2 3/8	1/16	1/8	3 1/4	C-3282	C-3283
36	2.220	12.75	2 1/2	5/8	2 3/8	1/16	1/8	3 1/4	C-3282	C-3283
38	2.345	12.84	2 1/2	5/8	2 3/8	1/16	1/8	3 1/4	C-3282	C-3283
40	2.470	12.94	2 1/2	5/8	2 3/8	1/16	1/8	3 1/4	C-3282	C-3283
42	2.595	13.06	3 1/2	5/8	2 3/8	1/16	1/8	4	C-3282	C-3283
44	2.720	13.19	3 1/2	5/8	2 3/8	1/16	1/8	4	C-3282	C-3283
48	2.970	13.37	3 1/2	5/8	2 3/8	1/16	1/8	4	C-3282	C-3283
50	3.095	13.47	3 1/2	5/8	2 3/8	1/16	1/8	4	C-3282	C-3283
52	3.220	13.56	3 1/2	5/8	2 3/8	1/16	1/8	4	C-3282	C-3283



THE SPECIALIST IN FILLING APPLICATIONS FOR OVER 30 YEARS

2500 Chestnut Tree Road, Honey Brook, PA 19344
 (610) 942-4200 • FAX: (610) 942-7123 • TOLL-FREE: (800) 647-5390
 sales@amsfilling.com • www.amsfilling.com

